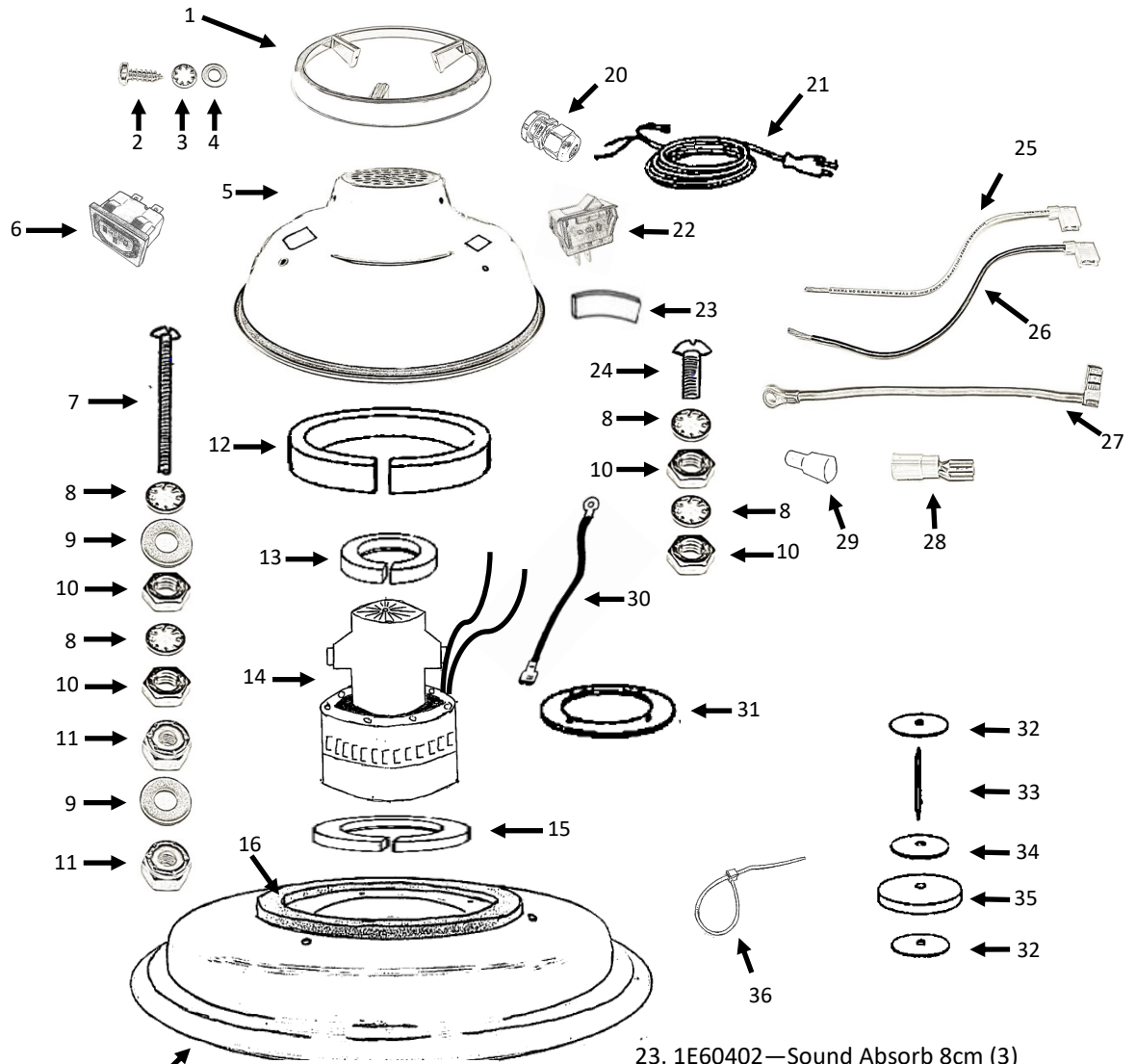
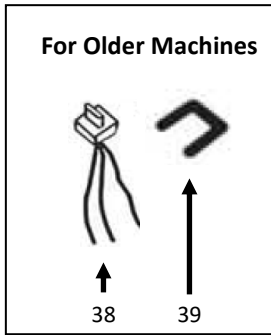


1E53130 FALCON-1 / 1E53166 FALCON-3 HEAD DIAGRAM



1. 1E53500—Round Handle
2. 6E13400—Tapping Screw
3. 6K02006—Washer, Lock Tooth
4. 6K02000—Flat Washer
5. 1E53121—Motor Enclosure
6. 7D54000—Auxiliary Power Receptacle
7. 6A20401—Machine Screw (4)
8. 6K02006—Washer, Lock Tooth (4)
9. 6K02000—Flat Washer (4)
10. 6D02300—Hex Nut (4)
11. 6D02301—Hex Nut Nylon (4)
12. 1E60453—Sound Absorb 25"
13. 1E60400—Gasket Bi-pass Motor Upper
14. MOTOR: Falcon-1— 7A55700
Falcon-3—7A55950
15. 1E60300—Gasket Lower Motor Support
16. 1E60401—Large Gasket
17. 1E53611 – Lower motor support
18. 6F20900 – Rivet
19. 1E57000 – Cage
20. 7D90802—Strain Relief
21. 1E54400—Power Cable
22. Switch on/off

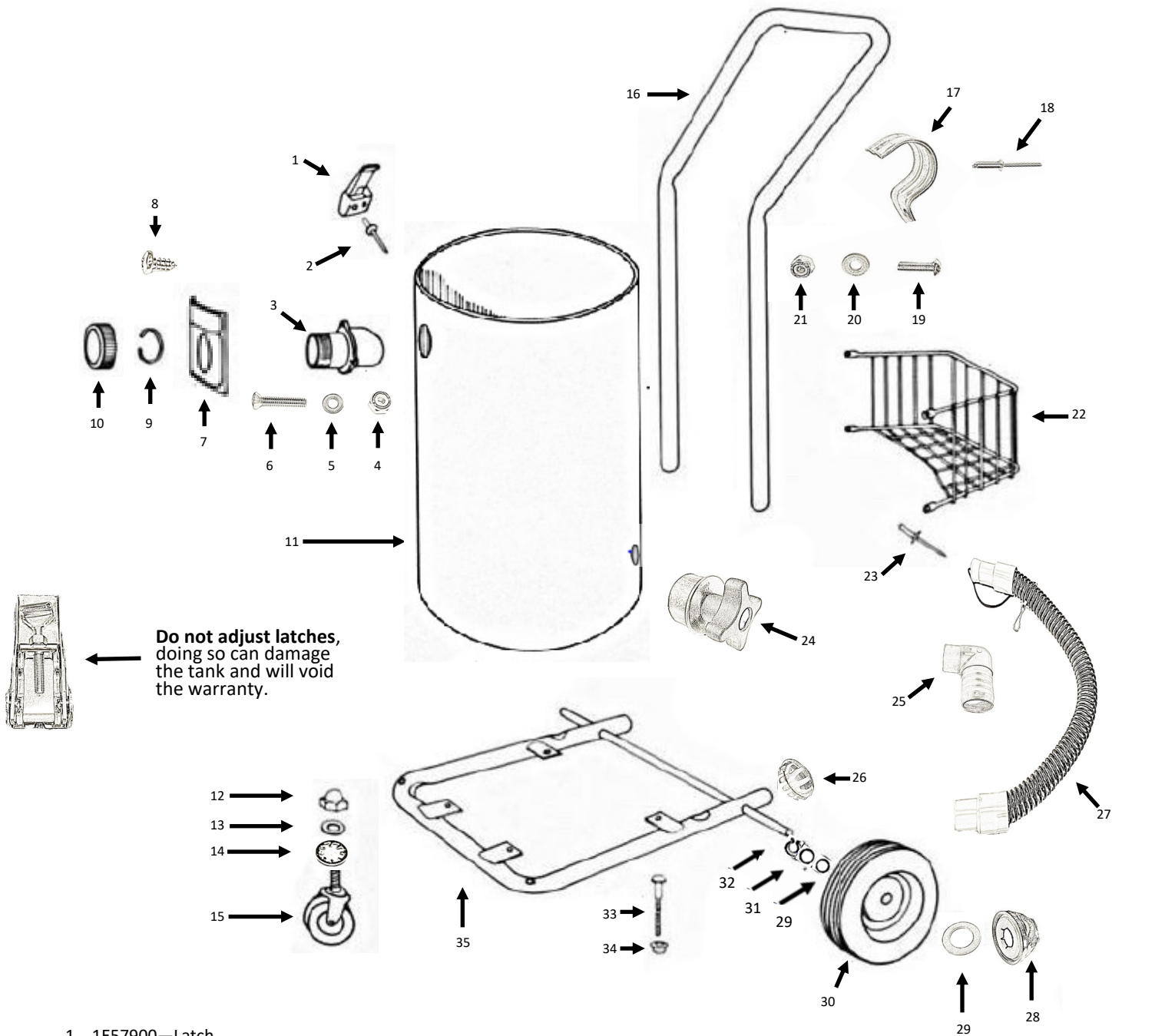
Not Included



23. 1E60402—Sound Absorb 8cm (3)
 24. 6A19000—Machine Screw
 25. 2E49991—White Wire 7.5" w/ Flag
 26. 2E49992—Black Wire 7.5" w/ Flag
 27. 2E49990—Green Wire 6" with terminal
 28. 7D62700 – Terminal (Yellow)
 29. 7D10000—Bell Connector
 30. 1E54301—Ground Cable 30cm (Falcon-3 only)
 31. 1E60200—Gasket, Die Cut
 32. 1E56702—Disc with Nutsert
 33. 1E56504—Float Stem
 34. 1E56700—Disc
 35. 1E56600—Float
 36. 7D62500—Cable Tie 3-3/4"
 37. 1E46024—Dry Filter
1E46222 Drywall filter
1E46221 Wet Filter
1E46100 Slurry Filter
- Older Receptacle
38. 7D53800—Raised Receptacle
 39. 7D53801—Retaining Clip



1E48453 Falcon -1 / Falcon-3 Vacuum Tank Diagram



1. 1E57900—Latch
2. 6F21100—Rivet
3. 9X50008—Intake
4. 6D10801—Hex Nut
5. 6K01900—Flat Washer
6. 6B09900—Machine Screw
7. 1E05603—Name Plate
8. 6E02100—Tapping Screw
9. 1B50002—Copper Ring
10. 1B50001—Ribbed Nut
11. 1E48402—Vacuum Tank 45L
12. 6D03201—Acorn Nut
13. 6K02402—Flat Washer
14. 6K02405—Lock Washer
15. 1E66400—Caster
16. 1E58200—Handle
17. 1E59000—"U" Bracket

* 1E54001 Intake with nut& ring



18. 6F20900—Rivet
19. 6A19302—Mach. Screw 10x32x3/4
20. 6K02000—Flat Washer
21. 6D02301—Nut, Nylon Hex 10x32
22. 1E62300—Tool Caddy (Deluxe Only)
23. 6F20900—Rivet
24. 1E67201—Drain plug with Knob
25. 1L21010—PVC Elbow 1.25 (Deluxe Only)
26. 1E58900—Plug Button
27. 1L21000—Drain Hose Assembly (Deluxe only)
28. 6J66800—Hub Cap Nut
29. 6K02601—Spacer Washer 1/2"
30. 1E66600—Wheel
31. 6K02600—Tension Washer 1/2"
32. 6J67400—Retaining Ring 1/2"
33. 6C15600—Carriage Bolt
34. 6D02803 Lock Nut
35. 1E58300 Base Frame