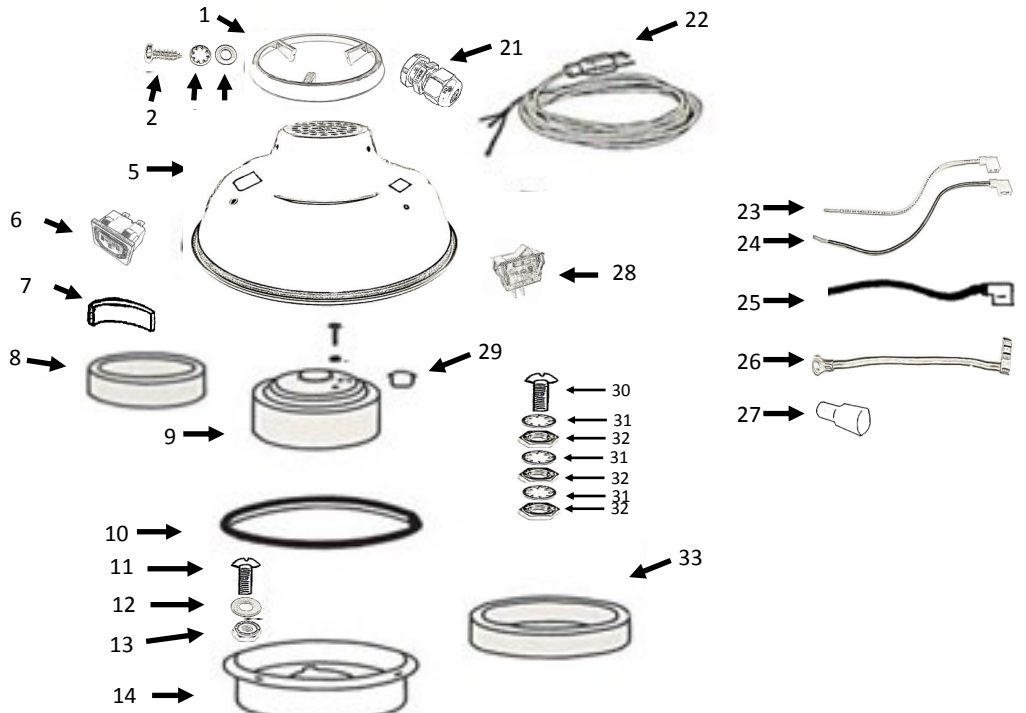
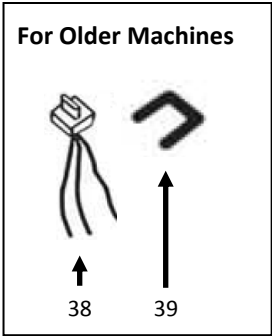


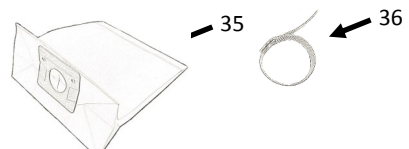
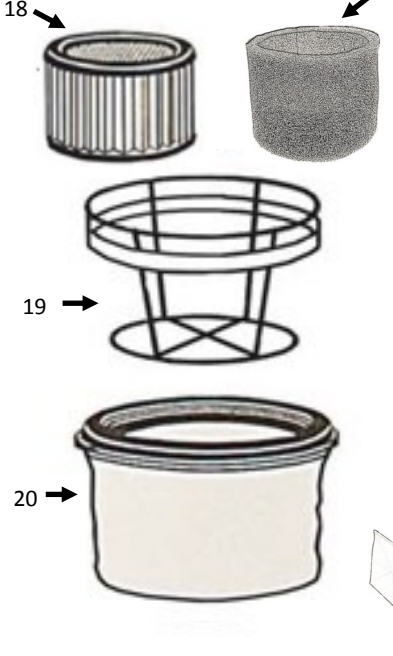
1E53113 SL-3 / SL-5 HEAD PARTS DIAGRAM



- 1. 1E53500 – Round Handle
- 2. 6E13400 – Screw for Handle
- 3. 6K02006 – Lock Washer
- 4. 6K02000 – Flat Washer
- 5. 1E53110—Motor Enclosure
- 6. 7D54000 – Auxiliary Power Receptacle
- 7. 1E60402—Sound Absorber 8cm
- 8. 1E60450—Sound Absorber (baffle cap)
- 9. 1E72803 – Noise Baffle Cap Assembly
- 10. 1E59900 – Gasket Up. Support
- 11. 6A10601 – Machine Screw
- 12. 6K01901 – Flat Washer SS.
- 13. 6D02002 – Nut Keps
- 14. 1E55900 – Upper Motor Support
- 15. 1E60200 – Die Cut Gasket
- 16. 6A19110 – Screw. Thread Cutter
- 17. 7A55850 – Motor SL-3, SL-5
- 18. 1E46403 – Micron Filter
- 19. 1E74000 – Cage (SL-3 only)
- 20. SL-3: 1E46000 – Cloth Filter with Gasket
SL-5: 1E46013 – Cloth Filter with Gasket
SL-5 1E46010 –Cloth Filter OLD Style with Cage

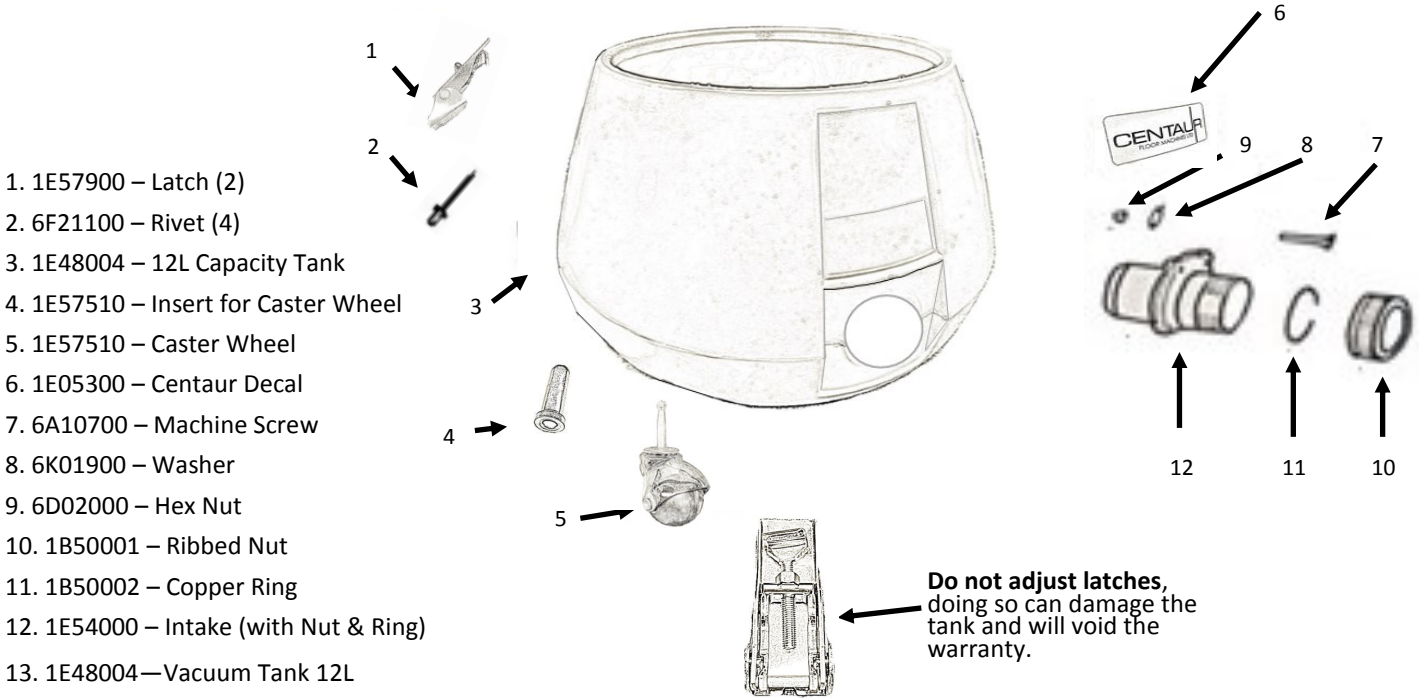
- 21. 7D90802 Strain Relief
- 22. 7C54700 – Power Cable
- 23. 2E49991—White Wire 6”
- 24. 2E49992—Black Wire 6”
- 25. 1E77023 – Green Wire 6”
- 26. 1E54301—Green Wire 30 cm
- 27. 7D10000—Bell Connector
- 28. 7D54100 – Switch On/Off
- 29. 7D54200—Heyco Bushing
- 30. 6A05613 – Machine Screw
- 31. 6K01803 – Lock Washer
- 32. 6D01800 – Hex Nut
- 33. 1E60451 – Sound Absorber
- 34. 1E60100—Filter Protector (SL-5 Only)
- 35. 1E46400—Paper Filter Bag (10 pcs)
- 36. 7D55020—Wrap Strap
Older Receptacle
- 37. 7D53800—Raised Receptacle
- 38. 7D53801—Retaining Clip

Not included



1E48052 12L VACUUM TANK PARTS DIAGRAM

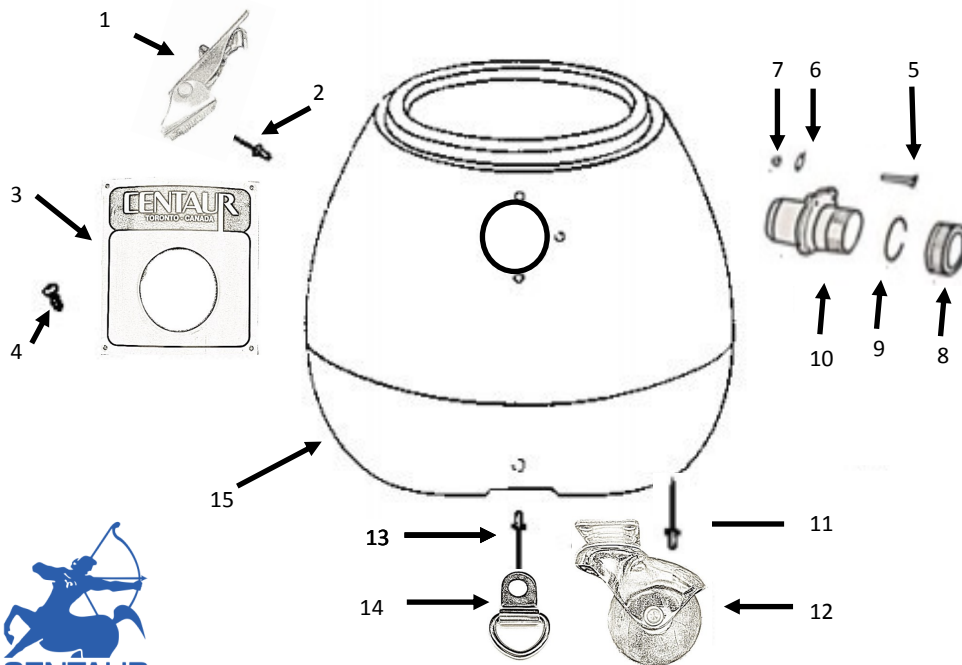
12L Capacity Vacuum Tank



- 1. 1E57900 – Latch (2)
- 2. 6F21100 – Rivet (4)
- 3. 1E48004 – 12L Capacity Tank
- 4. 1E57510 – Insert for Caster Wheel
- 5. 1E57510 – Caster Wheel
- 6. 1E05300 – Centaur Decal
- 7. 6A10700 – Machine Screw
- 8. 6K01900 – Washer
- 9. 6D02000 – Hex Nut
- 10. 1B50001 – Ribbed Nut
- 11. 1B50002 – Copper Ring
- 12. 1E54000 – Intake (with Nut & Ring)
- 13. 1E48004—Vacuum Tank 12L

1E48153—20L VACUUM TANK PARTS DIAGRAM

20L Capacity Vacuum Tank



- 1. 1E57900 – Latch (2)
- 2. 6F14600– Rivet (4)
- 3. 1E05600 – Centaur Name Plate
- 4. 6E02100 – Tapping screw (4)
- 5. 6A10703 – Machine Screw (4)
- 6. 6K01900 – Washer (4)
- 7. 6D02000 – Hex Nut (4)
- 8. 1B50001 – Ribbed Nut
- 9. 1B50002 – Copper Ring
- 10. 1E57730 – Intake (with Nut & Ring)
- 11. 6F21100 – Rivet (16)
- 12. 1E57500 – Caster Wheel (4)
- 13. 6F14600 – Rivet
- 14. 1E61704 – Dee ring
- 15. 1E48103—20L Tank
- *1E57730* - Intake Assembly
- *1E57735*-Intake Assembly with mounting screws

