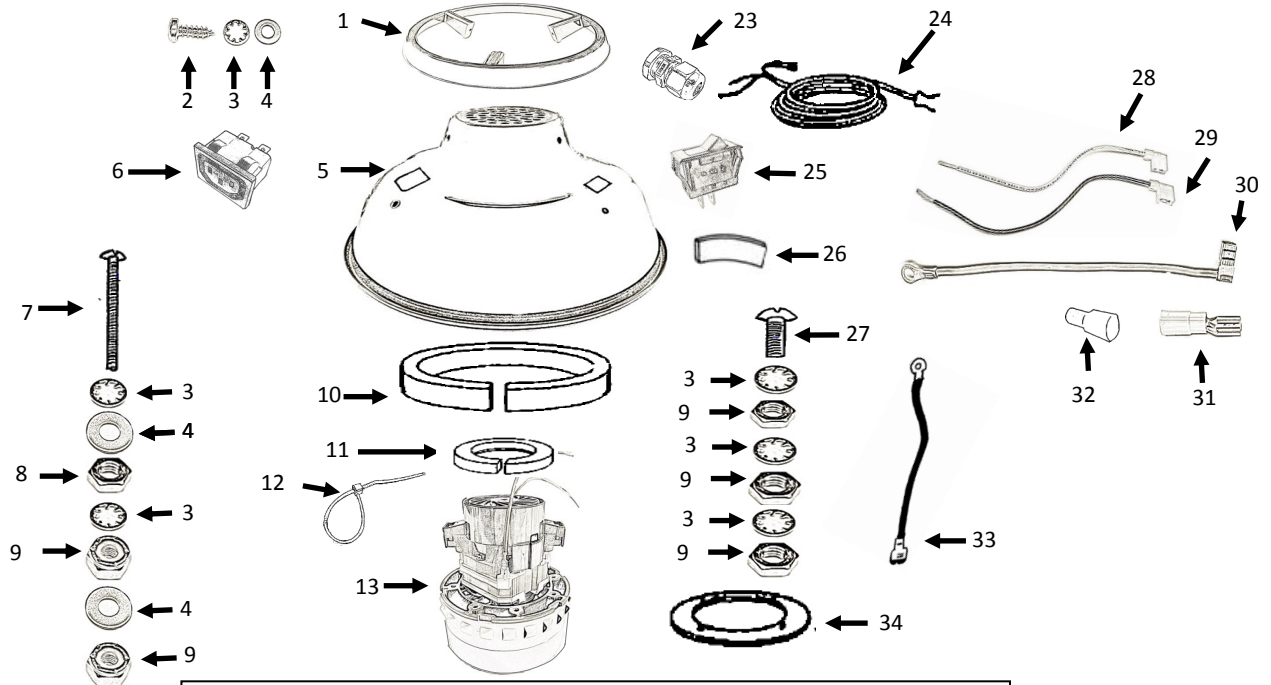
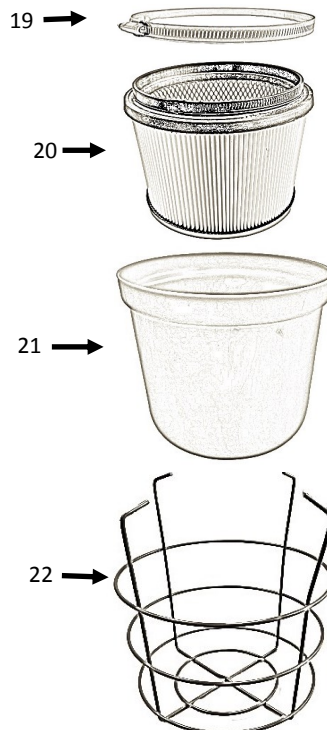
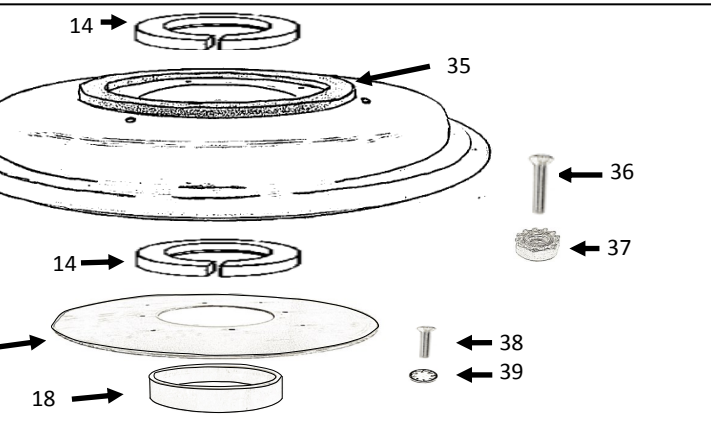


1E53138 FALCON-5 HEAD DIAGRAM

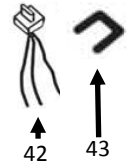


1. 1E53500—Round Handle
2. 6E13400—Tapping Screw
3. 6K02006—Washer, Lock Tooth
4. 6K02000—Flat Washer
5. 1E53121—Motor Enclosure
6. 7D54000—Auxiliary Power Receptacle
7. 6A20401—Machine Screw (4)
8. 6D02300—Hex Nut (4)
9. 6D02301—Hex Nut Nylon (4)
10. 1E60453—Sound Absorb 25"
11. 1E60400—Gasket Bi-pass Motor Upper
12. 7D62500—Cable Tie 3-3/4"
13. 7A55950—Motor 1120W bi-pass
14. 1E60300—Gasket Lower Motor Support
15. 1E56312—Lower Motor support Complete
16. 1E56311—Lower Motor Support
17. 1E57916—Filter Flange 10.5" Disk
18. 1E57914—HEPA holder, plastic tube
19. 1K20002—7" Hose Clamp for HEPA
20. 1E46405—HEPA Filter
21. 9M97300—Shroud, Float
22. 1E57001—Cage Falcon-5
23. 7D90802—Strain Reliever
24. 7C54400—Power Cable
25. 7D54100—Switch on/off



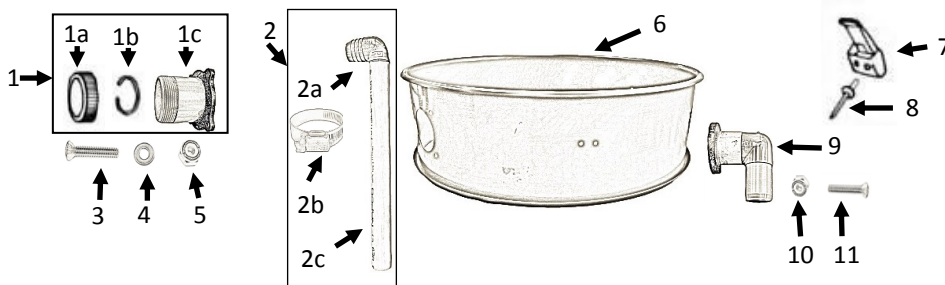
26. 1E60402—Sound Absorb 8cm (3)
27. 6A19000—Machine Screw
28. 2E49991—White Wire 7.5" w/ Flag
29. 2E49992—Black Wire 7.5" w/ Flag
30. 2E49990—Green Wire 6" with terminal
31. 7D62700—Terminal (Yellow)
32. 7D10000—Bell Connector
33. 1E54301—Ground Cable 30cm
34. 1E60200—Gasket, Die Cut
35. 1E60401—Large Gasket
36. 6A15101—Machine Screw
37. 6D02002—Nut Keps
38. 6A05613—Machine Screw
39. 6K01803—Washer, Lock
40. 1E46024—Cloth Dry Filter 45L
41. 1E46221—Wet Mesh Filter 45L
- Not Shown
- 1E46222 Cloth Grey (drywall) Filter
- 1E46223 Fine Mesh Slurry Fiter
42. 7D53800—Raised Receptacle
43. 7D53801—Retaining Clip

For Older Machines

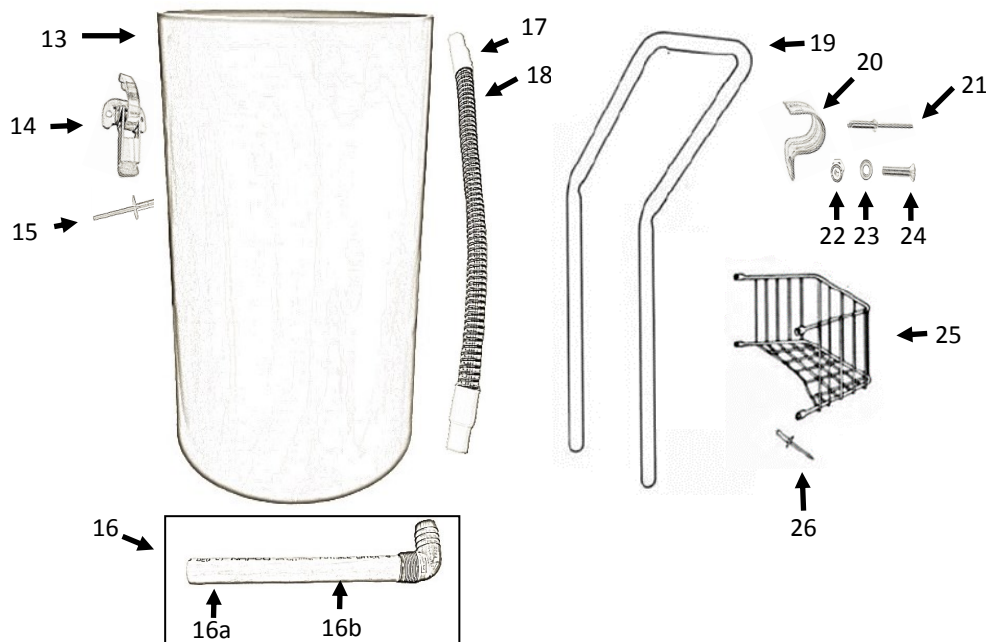


Falcon-5 Vacuum Tank Diagram

SECTION 1 1E54015 Adaptor Ring complete



SECTION 2 1E48456 Tank complete for Falcon-5



Section 1—1E54015

1. 1E57737 Intake Falcon 5
- 1a. 1B50001 Ribbed Nut
- 1b. 1B50002 Copper Ring
- 1c. 9X50010 Intake
2. 1e54006 Intake Deflector
- 2a. 9K81002 PVC Elbow
- 2b. 1K20005 Gear Clamp
- 2c. 9X93604 PVC Pipe
3. 6A19000 Screw
4. 6K02000 Flat washer
5. 6D02301 Nut Nylon Insert
6. 9X54015 Adaptor Ring
7. 1E57900 Latch
8. 6F14600 Rivet
9. 1E54404 Equalizer intake
10. 6D01802 Hex Nut
11. 6A05700 Screw
12. 1E59010 Gasket

Section 2—1E48456

13. 1E48402 45L Tank
14. 1E57902 Latch Single Action
15. 6F21100 Rivet
16. 1E 54005 Equalizer Pipe
- 16a. 9X81000PVC Pipe
- 16b. 1L21010 PVC Elbow
17. 9K52013 Hose Cuff
18. 9K52012 Hose
19. 1E58200 Falcon Handle
20. 9H59001 Bracket
21. 6F14600 Rivet
22. 6D02301 Hex Nut
23. 6K02000 Flat Washer
24. 6A19302 Screw
25. 9H62300 Tool Caddy
26. 6F20900 Rivet
27. 1E58300 Falcon Base
28. 6D03201 Acorn Nut
29. 6K02405 Lock Washer
30. 1E66400 Caster
31. 6C15600 Carriage Bolt
32. 6D02803 Nut Keps
33. 1E58900 Plug Button
34. 6J67400 Retaining Ring
35. 6K02600 Tension Washer 1/2"
36. 1E66600 Wheel
37. 6K02601 Spacer Washer 1/2"

1E62300 Tool Caddy w/rivets

