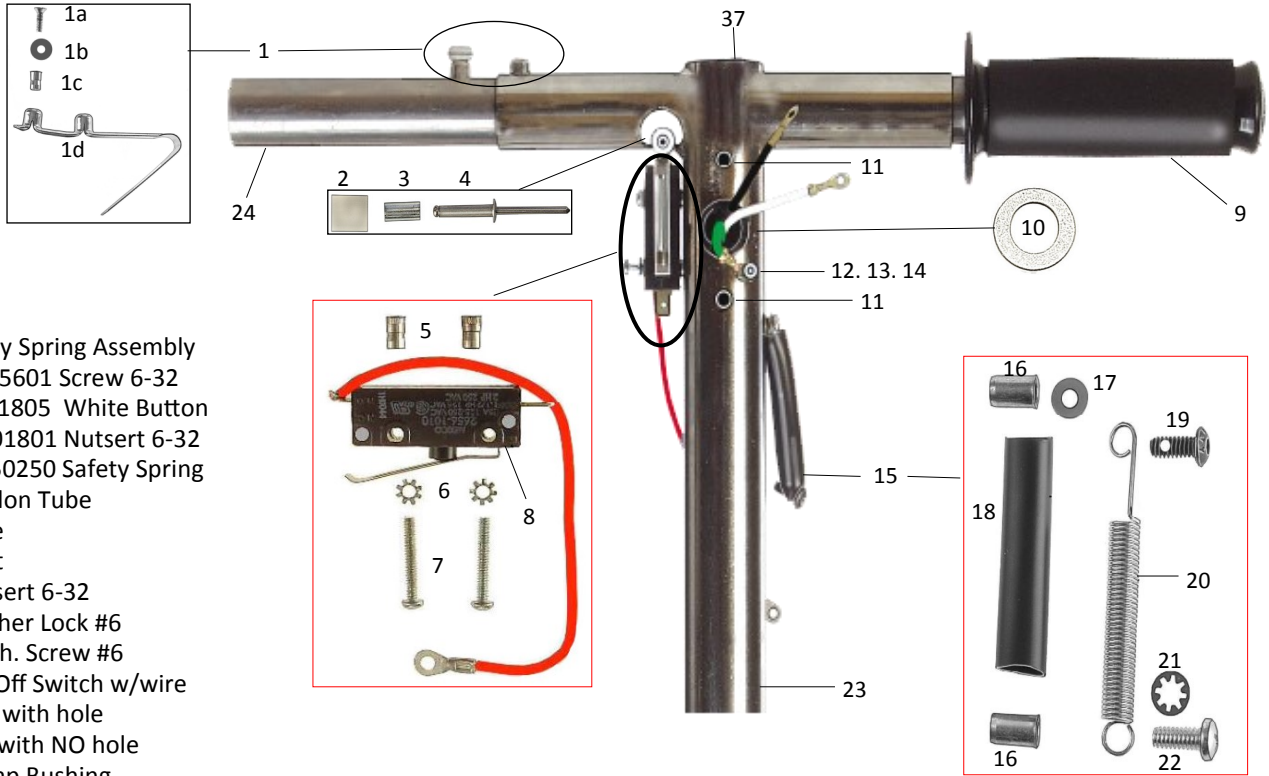
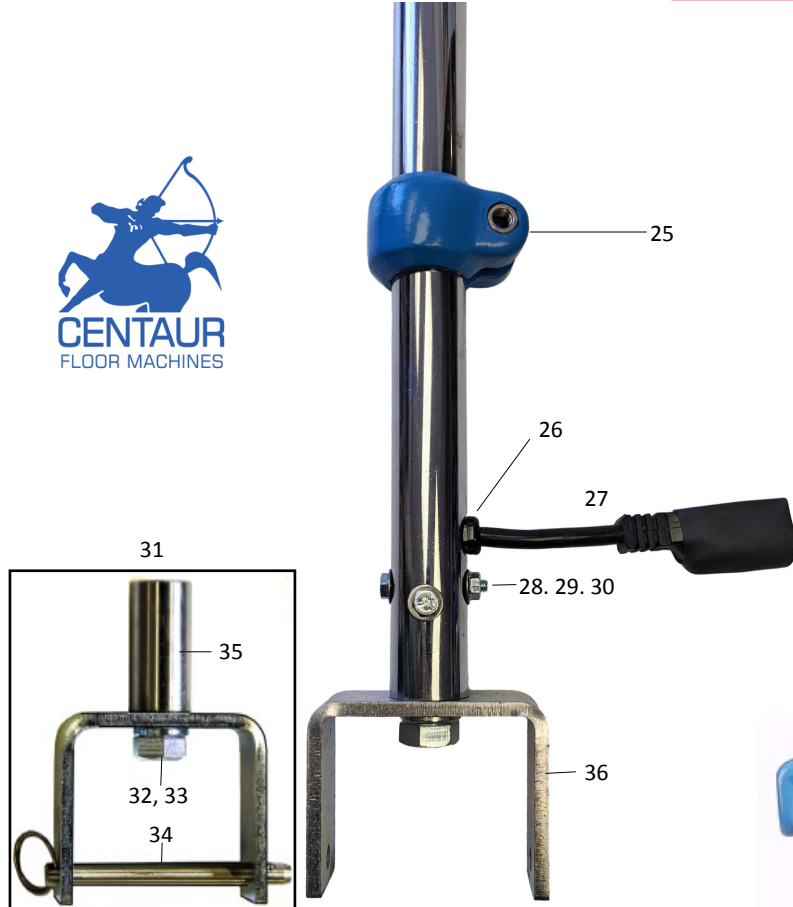


# Handle Tube Assembly Rabbits Part # 2E90034



- 1— 2E50252 Safety Spring Assembly
  - 1A— 6A05601 Screw 6-32
  - 1B - 6K01805 White Button
  - 1C—6D01801 Nutsert 6-32
  - 1D—2E50250 Safety Spring
- 2—1E76202—Nylon Tube
- 3—1E76201 Tube
- 4—6F14500 Rivet
- 5—6D01808 Nutsert 6-32
- 6—6K01803 Washer Lock #6
- 7—6A06000 Mach. Screw #6
- 8—7D90912 On-Off Switch w/wire
- 9—2E50266 Grip with hole
  - 2E50265 Grip with NO hole
- 10—7D54202 Snap Bushing
- 11—6D02201 Nutsert 10-24
- 12—6A05600 Screw 6-32
- 13—6K01803 Lock Washer
- 14—6D01808 Nutsert 6-32
- 15—2E50253 Return Spring Assembly
- 16—6D02201 Nutesrt 10-24
- 17—6K01700 Washer
- 18—7D10140 Insulating Sleeve
- 19—6A14905 Screw Pellatized #10
- 20—2E50172 Return Spring
- 21—6K02006—Washer #10
- 22—6A14904 Screw #10
- 23—9X50430 T-Tube only
- 24—9H90030 Rotating Tube
- 25—2E91610 Collar
- 26—2e90802 Strain Reliever
- 27—7C54503 Tube Cable
- 28—6A31301 Screw
- 29—6D02202 Flat Washer
- 30—6D02803 Keps Nut
- 31—2E92300 Saddle Assembly
- 32—6K06214 Lock Washer 5/8"
- 33—6A62012 Bolt 5/8"-11
- 34—2E50113—Pull Pin 4" long
- 35—9H01052 Plug for T-Tube
- 36—2E91703 Saddle only
- 37—9X90034 T-Tube with components  
No Handles



## OLDER MODELS



## Older Models

- 36—2E91612 Replacement collar/  
cordhook
- 37—2E10155 Bushing Repair Kit